


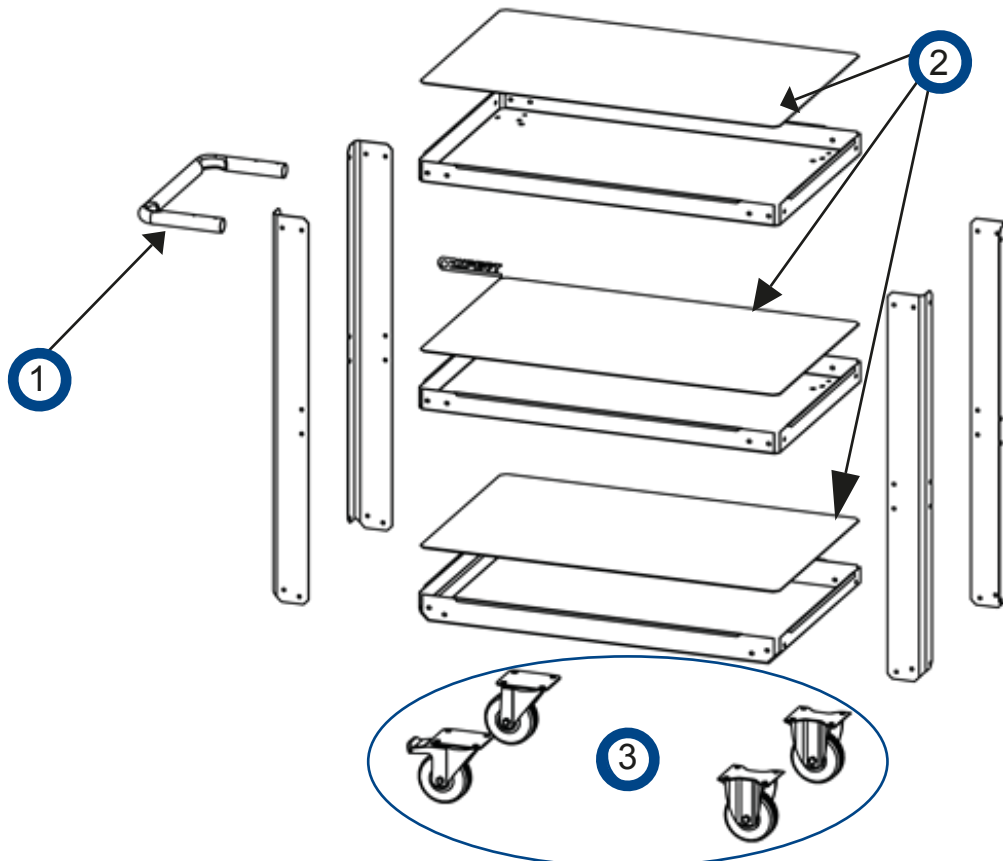
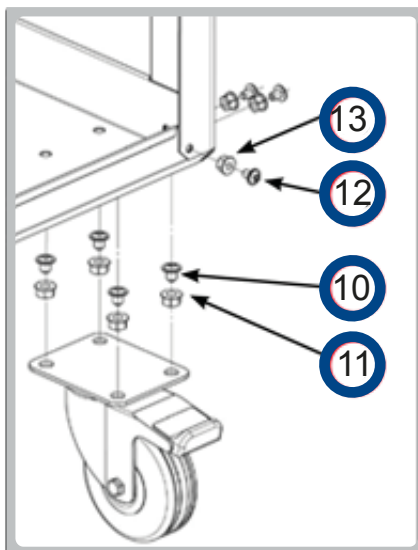
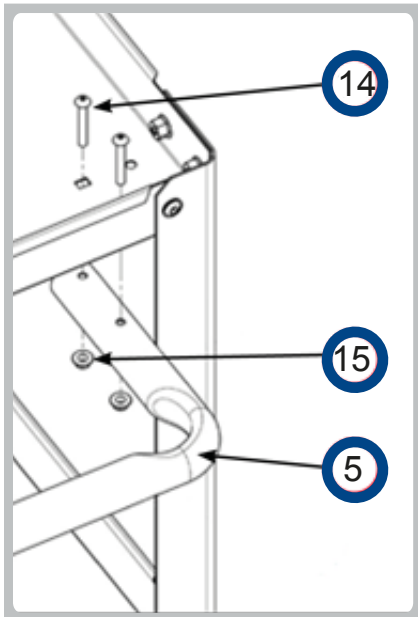




| | | Q |
|---|---------|--|
| 1 | E010157 |  |
| 2 | E010156 |  |
| 3 | E010155 |  |





| N° | DESCRIPTION | | Q. |
|----|----------------|---------------|----|
| 1 | Etagère | Shelf | 2 |
| 2 | Soute | Bottom | 1 |
| 3 | Montant gauche | left upright | 2 |
| 4 | Montant droit | right upright | 2 |
| 5 | Poignée | handle | 1 |
| 6 | Plaque PS | PS plate | 3 |
| 7 | Roue fixe | Fixed wheel | 2 |
| 8 | Roue pivotante | Swivel wheel | 1 |

| N° | DESCRIPTION | | Q. |
|----|------------------------|-------------------------|----|
| 9 | Roue pivotante à frein | Swivel wheel with brake | 1 |
| 10 | Vis M8x12 | Screw M8x12 | 16 |
| 11 | Ecrou M8 | Nut M8 | 16 |
| 12 | Vis M6x10 | Screw M6x10 | 32 |
| 13 | Ecrou M6 | Nut M6 | 32 |
| 14 | Vis M5x35 | Screw M5x35 | 4 |
| 15 | Ecrou M5 | Nut M5 | 4 |